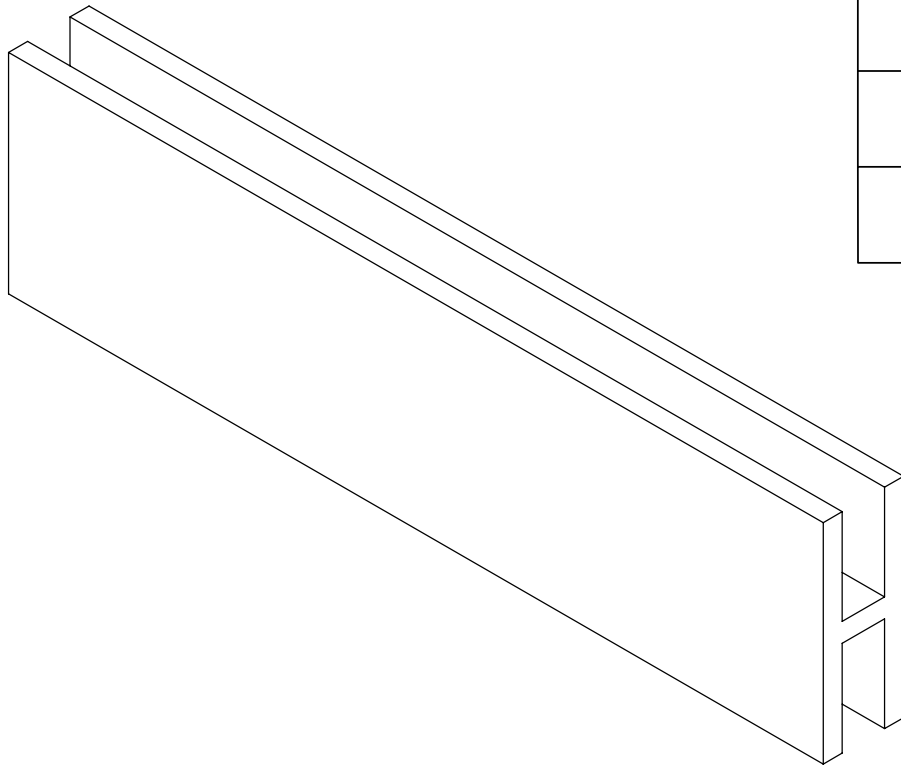


'H' Channel (0.156)



Color : Black

Material : RPVC

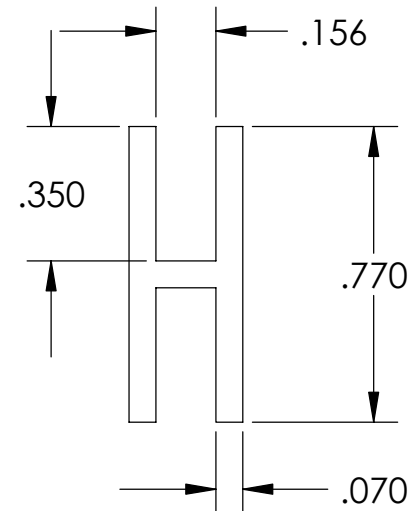
Description : Designed to join 2 pieces of 1/8" thick material.

Part Number

Cut Length

1.1450.02.066.750

66.75"



For pricing and availability, please contact a sales representative at 423.877.3480.

lookout industries • plastics design + manufacturing • 2710 kanasita drive hixson, tn 37343
phone 423.877.3480 fax 423.877.0236 • www.lookoutind.com • info@lookoutind.com