

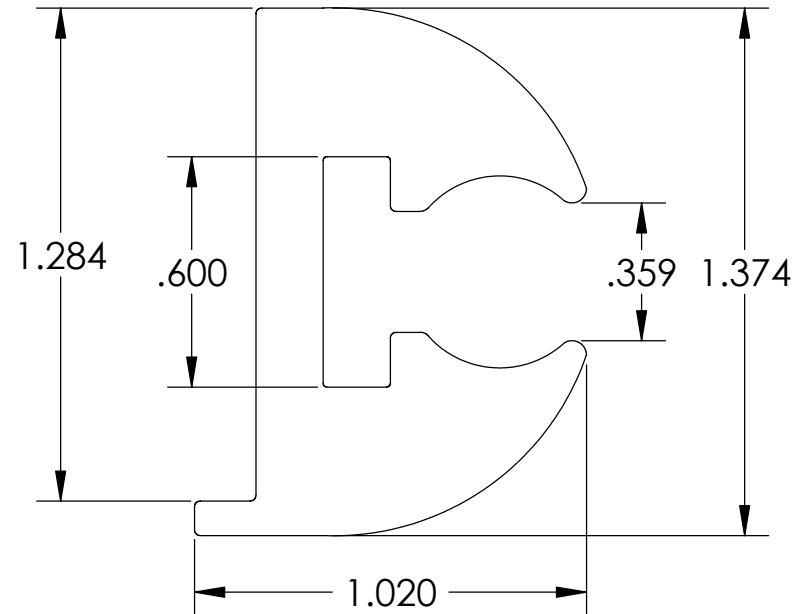
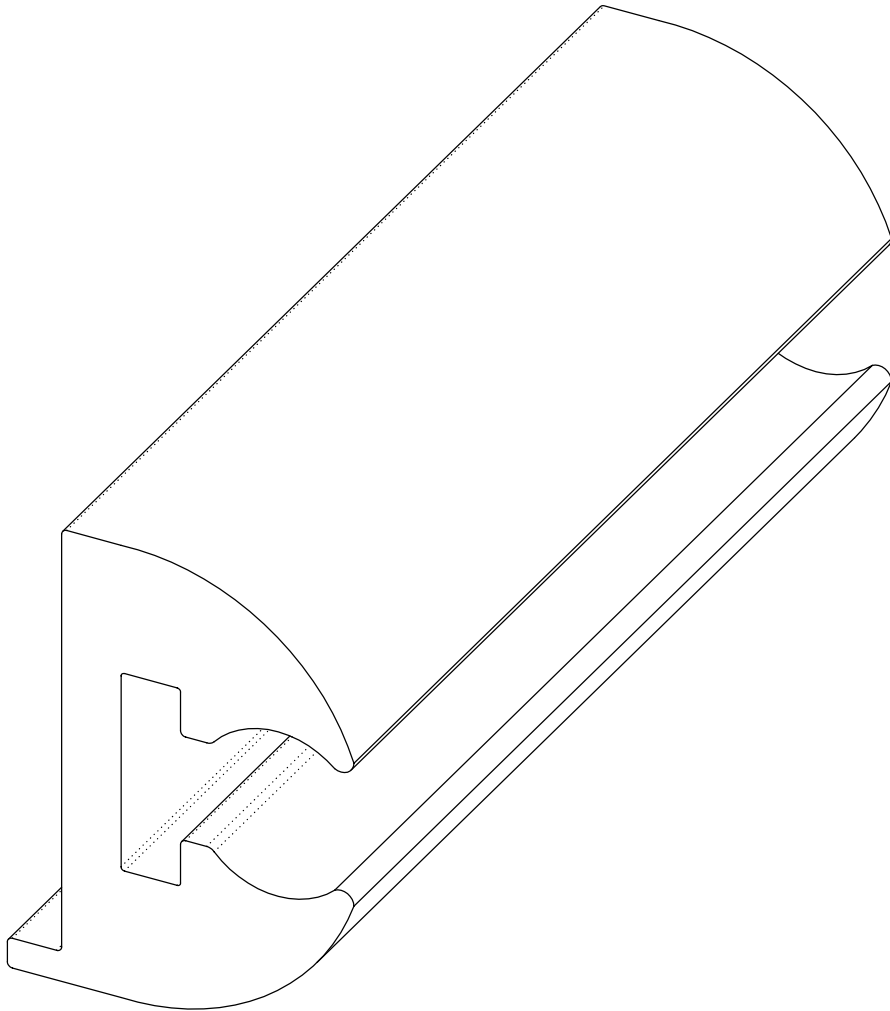
1.3" Rub Rail

Part # : AL-2015-F

Color : Black

Material : Flexible PVC

Description :



For pricing and availability, please contact a sales representative at 954.608.2473.

lookout industries • plastics design + manufacturing • 2710 kanasita drive hixson, tn 37343
phone 423.877.3480 fax 423.877.0236 • www.lookoutind.com • info@lookoutind.com