

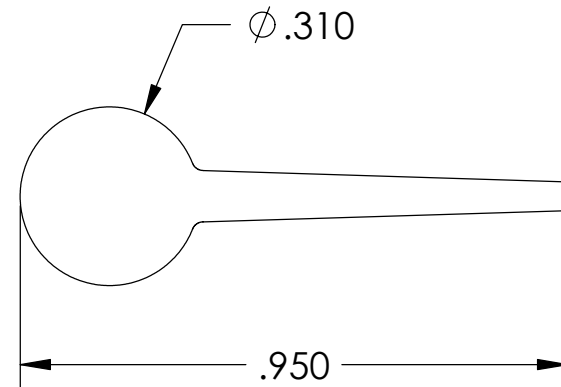
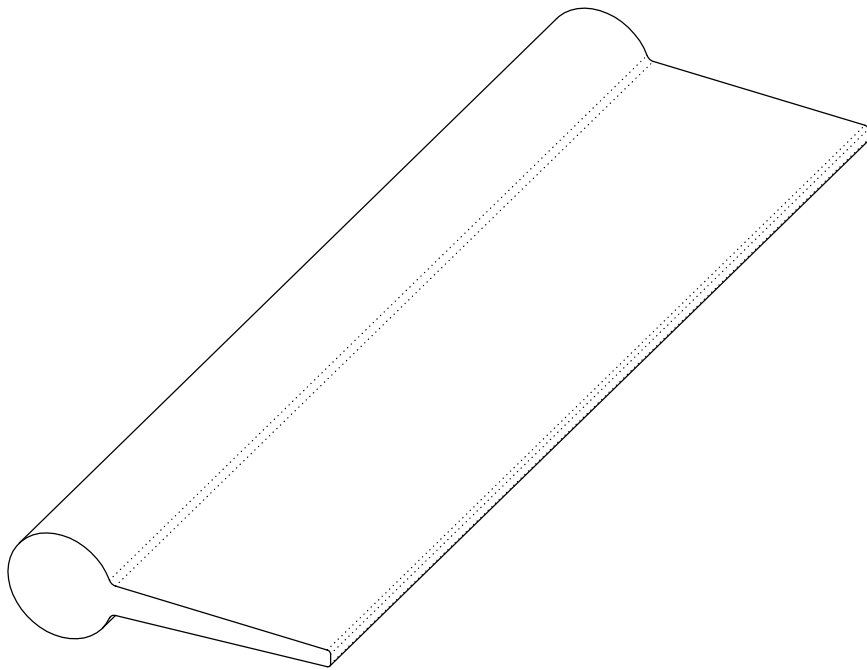
# Seat Spline

Part # : AL-2640-F

Color : Custom Colors Available

Material : Flexible PVC (75 Dur)

Description : Works with Part #AL-2012-R  
(Top Opening Seat Spline Holder) and Part  
#AL-2641-R (Seat Spline Holder).



For pricing and availability, please contact a sales representative at 954.608.2473.

lookout industries • plastics design + manufacturing • 2710 kanasita drive hixson, tn 37343  
phone 423.877.3480 fax 423.877.0236 • www.lookoutind.com • info@lookoutind.com